

High Current Hand Adapter for the Field of e-mobility

The production volume of electric vehicles significantly increased during recent years. Up to now original vehicle connectors were predominantly used for component testing. Due to the increased volume it becomes necessary to use now adaptations with an increased lifetime of several thousand connection cycles.

Adapters used in this environment will have to reliably contact without wear and degradation. Additionally the contacts will have to reliably carry currents of several hundred amperes.

These applications also require a long-life contacts with low force or contact free insertion mechanisms to further reduce the adapter wear.

Off-the-shelf flat or round contact pins cannot be contacted with standard test probes, because they do not offer the necessary contact area and accessibility.

Therefore friction-free insertable adapters that only fully engage the electrical contacts in fully inserted position are necessary.

In cooperation with our clients adaptronic has developed multiple proven solutions to provide long-lasting, reliable connectors for high volume / high current testing.



High Current Hand Adapter Samples



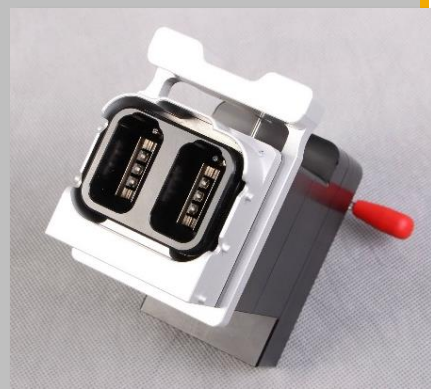
Hand adapter for HVR 280

Zero-force contacting

Dielectric strength: 1.100 VDC

$I_{\max.}$: 60 A

Application: e.g. on board charger units



Zero-force contacting

Dielectric strength: 1.100 VDC

$I_{\max.}$: 225 A

Application: BMW i3

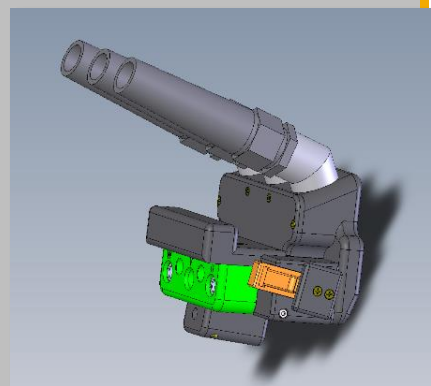


Hybrid gearbox BMW

Zero-force contacting

Dielectric strength: 1.100 VDC

$I_{\max.}$: 130 A



Hybrid gearbox AUDI

Zero-force contacting

Dielectric strength: 1.100 VDC

$I_{\max.}$: 100 A

© Copyright 2017, adaptronic Prüftechnik GmbH. All rights reserved. All mentioned features and functions are subjects to change. This document is only for information.

Images contain options. adaptronic is a word-brand of adaptronic Prüftechnik GmbH.

Mentioned brands and trademarks are property of the respective brand owners.